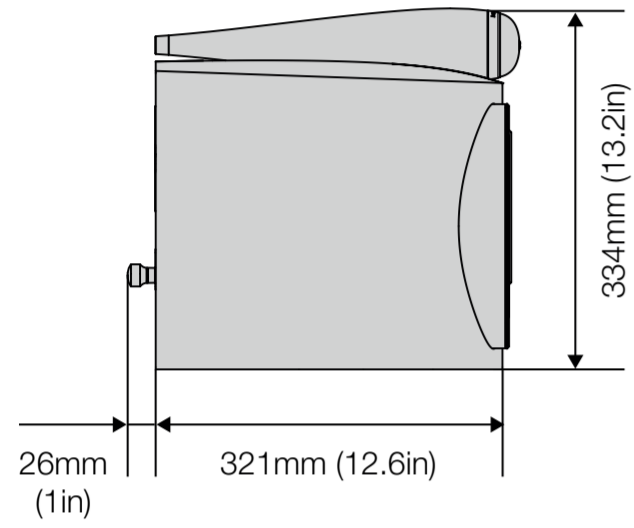


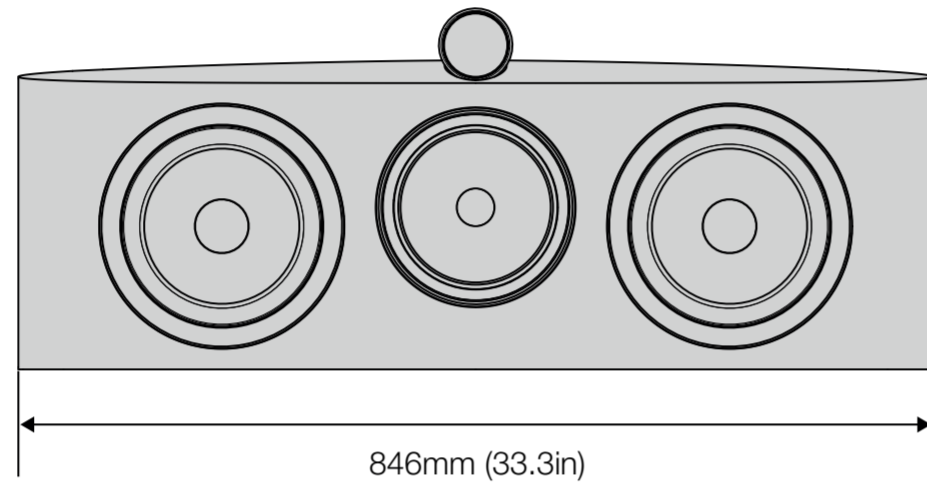
# Bowers & Wilkins

# HTM81 D5

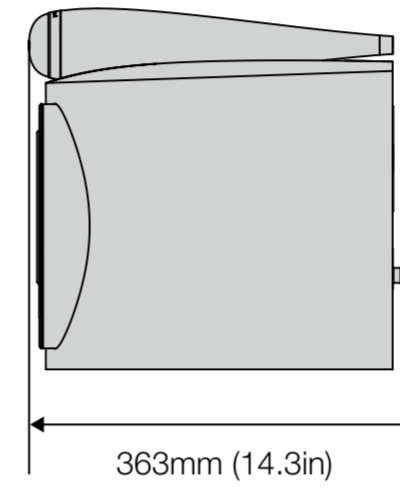
SIDE



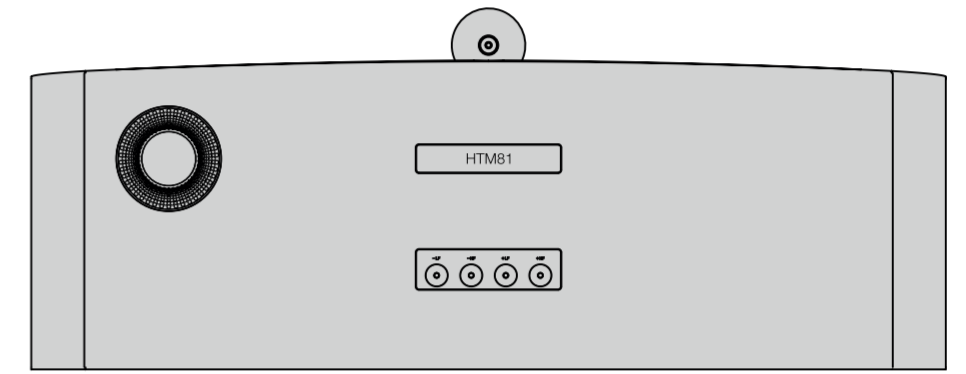
FRONT



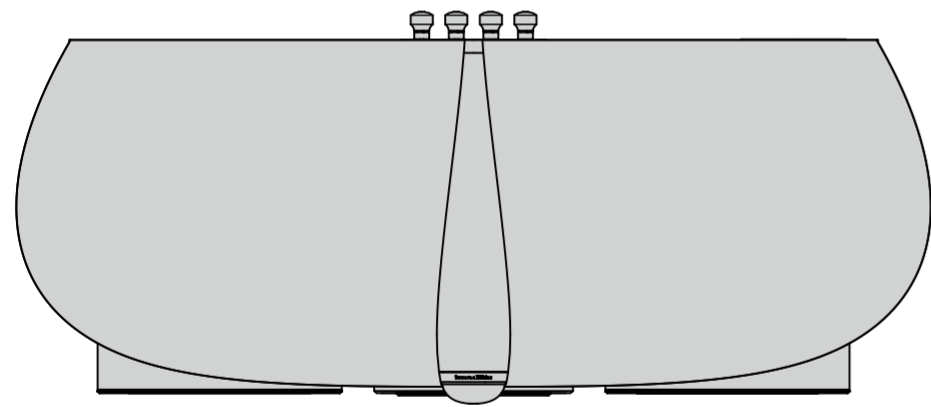
SIDE



BACK



TOP



BASE

