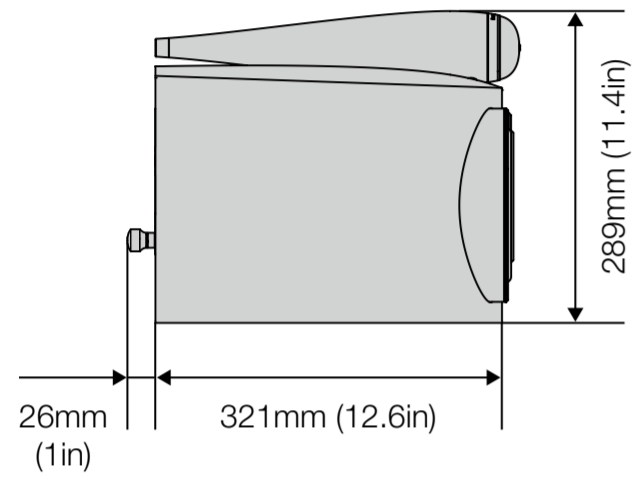


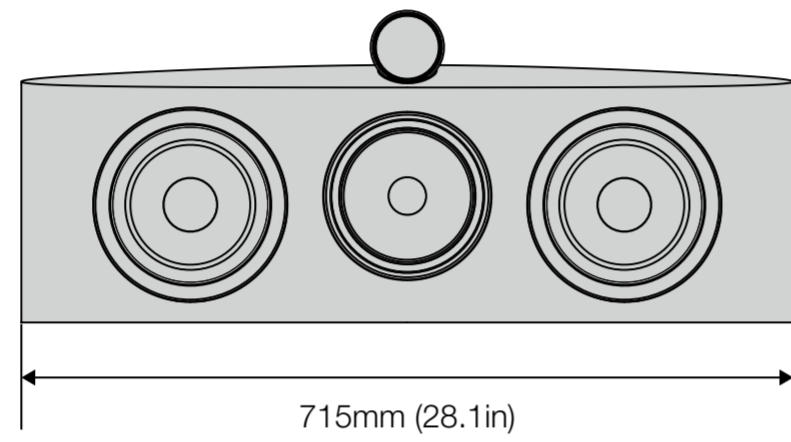
Bowers & Wilkins

HTM82 D5

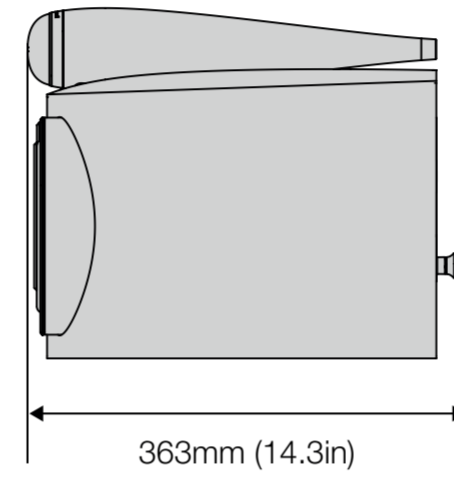
SIDE



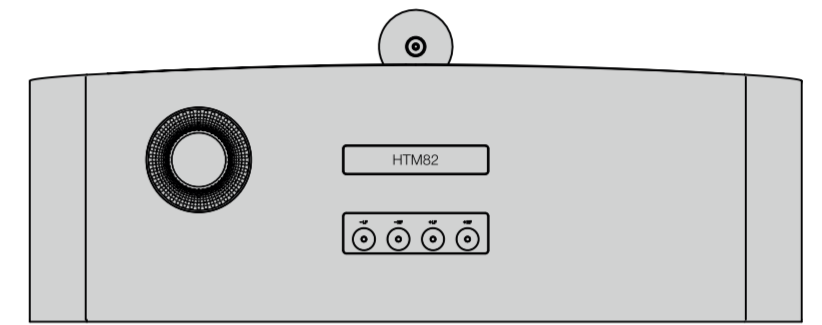
FRONT



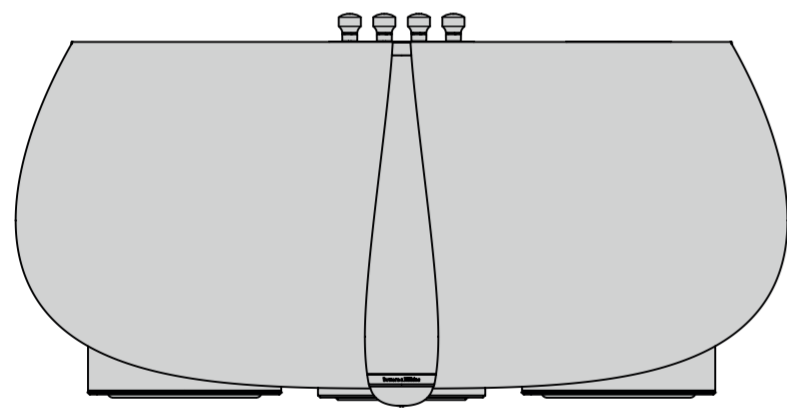
SIDE



BACK



TOP



BASE

